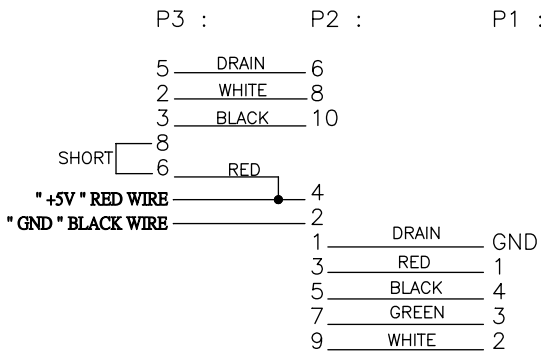


PIN ASSEMBLY



MATERIAL LIST:

CONNECTOR:

- P1: USB B TYPE FEMALE , PVC MOLDED COLOR : BLACK .
- P2: 2.0PITCH 5*2 PIN HOUSING COLOR : WHITE.
- P3: DB9 FEMALE+SCREW PE MOLDED COLOR : TRANSLUCENT WHITE.

CABLE:

- P1 : UL2725 USB 2.0 28#*1P + 28#*2C COLOR : BLACK .
- P3 : UL2547 28#*3C+AL OD:3.5mm COLOR : GRAY .
- P4 : UL1007 26# COLOR : RED.
- P5 : UL1007 26# COLOR : BLACK.

LABEL:

- P4 : " +5V "
- P5 : " GND "