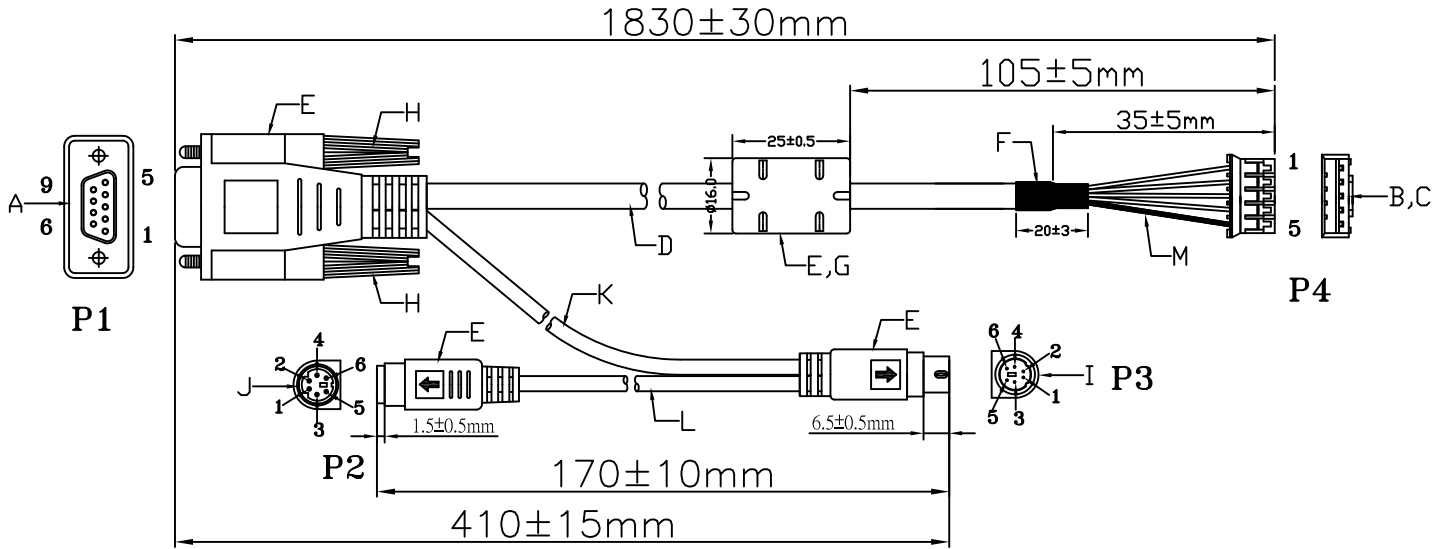


Version 1.0 2025.05.22



MATERIAL:

- A:DB 9P FEMALE, 黑膠芯
- B:H. S. G P/N:2020-05, White, Pitch:2.0mm
- C:TERMINAL P/N:2012P
- D:UL 2464 26#/4C+D+AL OD:4.0mm, COLOR: 貝吉色
- E:MODING COLOR: 貝吉色 PVC 50P
- F:TUBE:L=20mm BK
- G:CORE:20x12.0x5.6mm
- H:大E 2.8x31.5mm, 貝吉色, 4#40 Ni
- I:Mini DIN 6P MALE, 黑膠芯
- J:Mini DIN 6P FEMALE, 黑膠芯
- K:2464 26#/2C+AL OD:4.0mm, COLOR: 貝吉色
- L:2464 26#/6C+AL OD:5.0mm, COLOR: 貝吉色
- M:TUBE: BK

CIRCUITS:

